






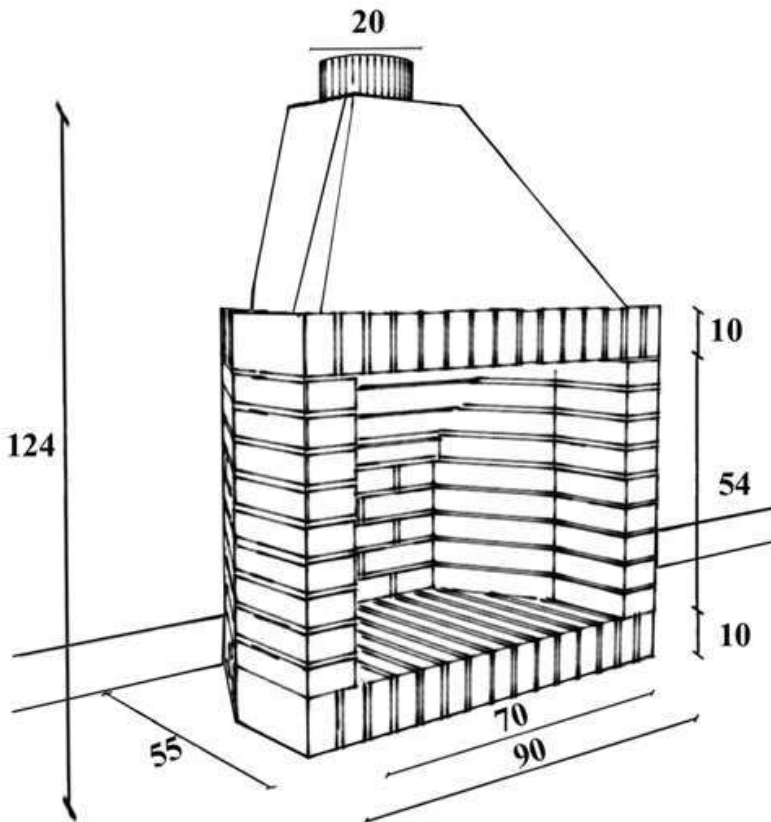
→ Description

→ Color:

- Red 
- Black 
- Rustic 

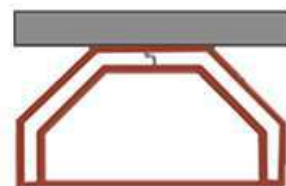
→ Weight : **360 Kg**

→ Dimensions



→ Installation:

- Type 1:



- Type 2:

