






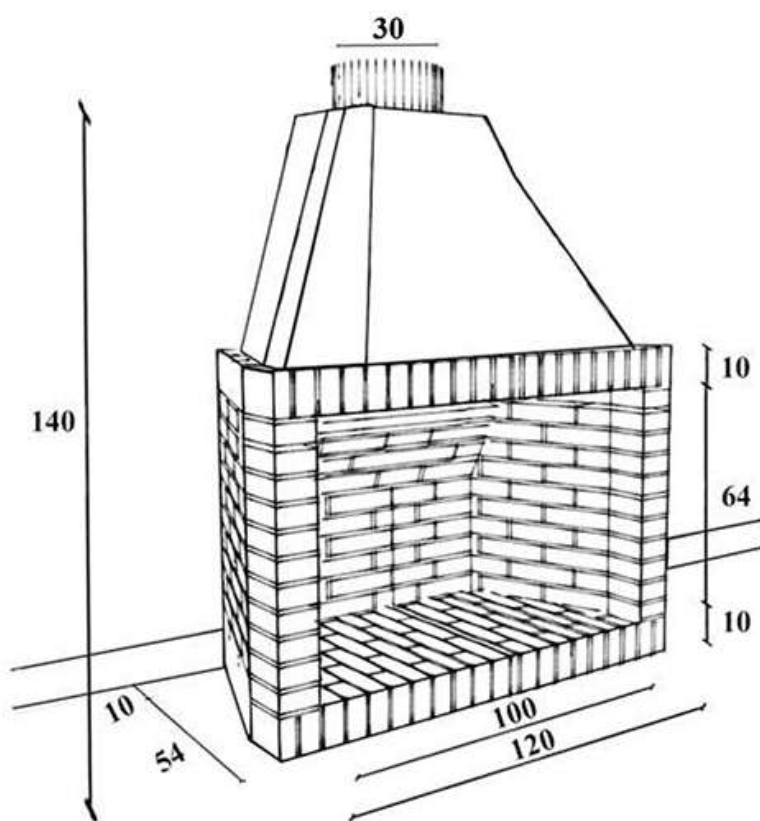
### → Description

#### › Color:

- Red 
- Black 
- Rustic 

› Weight : **750Kg**

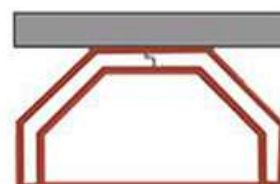
### → Dimensions



CERTIFIED M.S.  
EN ISO 9001:2015  
102LBQ5

#### › Installation:

- Type 1:



- Type 2:

