

CAST IRON

RE 700



LACUNZA

Natural comfort

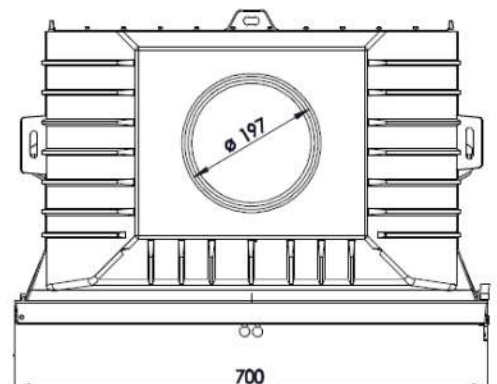
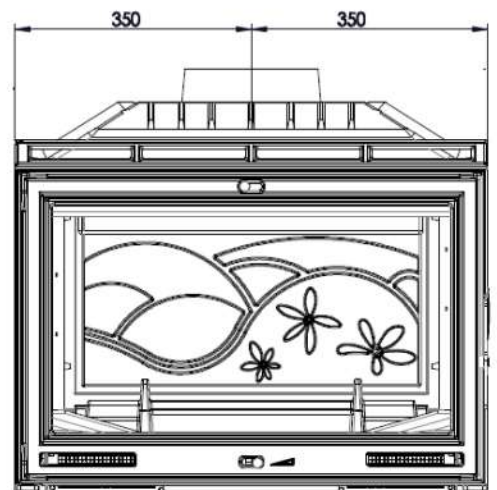
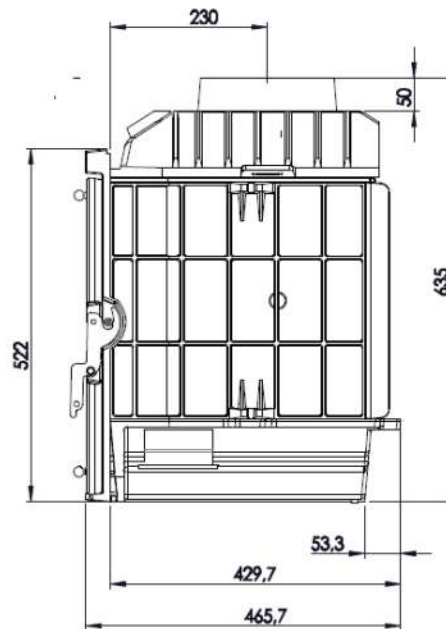


ecoDESIGN In process

| Efficiency | CO Emissions | NOx Emissions | OGC Emissions | Particles | Heat output range | Nominal HO | Flue socket | Weight | Firewood | Heating vol. | Heating area |
|------------|--------------|---------------|---------------|-----------|-------------------|------------|-------------|--------|----------|--------------|--------------|
| 75 % | 0,12 % | 200 mg | 120 mg | 40 mg | 7-13 kW | 10 kW | Ø 200 mm | 141 kg | 55 cm | 222 m³ | 89 m² |

- Cast iron insert.
- Natural convection.
- Extra Clean Glass system.
- Stainless steel baffle.
- Double control for combustion.

External 700 x 635 x 466 mm
 Firebox 560 x 250 x 400 mm
 Width x Height x Depth



Cooking grill



FLAMME ROUGE