

CAST IRON

K2 800



ecoDESIGN Ready!

Efficiency	CO Emissions	NOx Emissions	OGC Emissions	Particles	Heat output range	Nominal HO	Flue socket	Weight	Firewood	Heating vol.	Heating area
78 %	0,07 %	108 mg	50 mg	18 mg	6-11 kW	8,5 kW	Ø 200 mm	150 kg	55 cm	189 m ³	76 m ²

- Cast iron insert with printed glass.
- Firebox in vermiculite.
- Double Combustion system.
- Extra Clean Glass system.
- Double control for combustion.
- Two turbines 125 m³/h each + Potentiometer (5 speeds).
- Option: frame and cooking grill.

ACCESSORY INCLUDED:

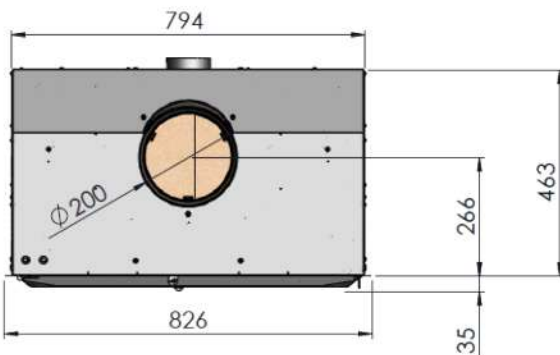
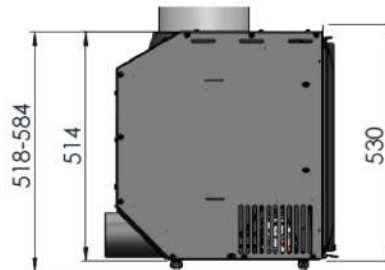


Potentiometer

OPTIONAL ACCESSORIES:



Cooking grill



External	794 x 518/584 x 463 mm
Firebox	600 x 295 x 220 mm
	Width x Height x Depth



FLAMME ROUGE