

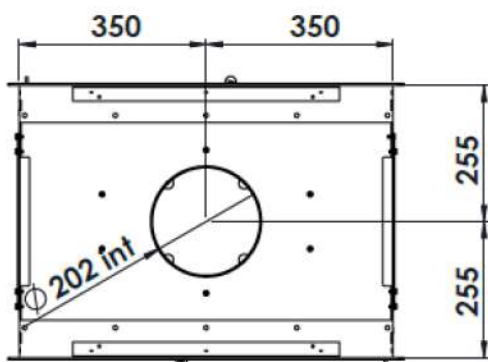
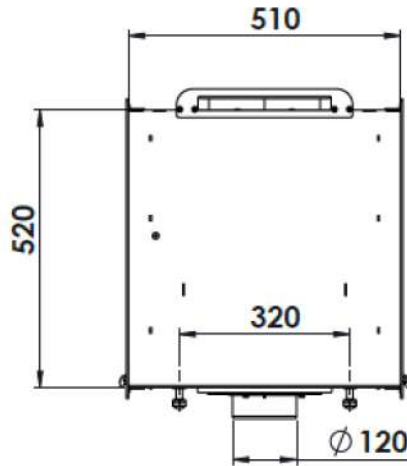
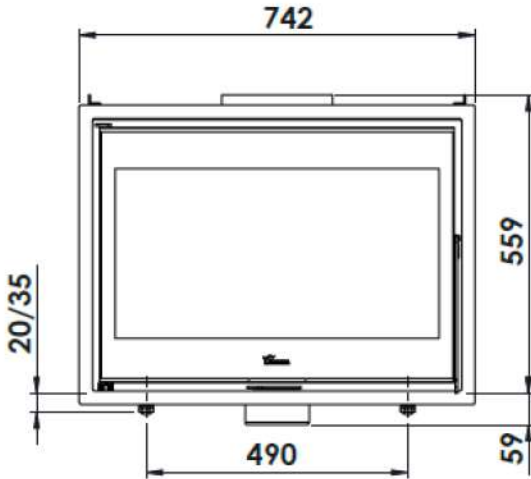
# Nickel 700



### ecoDESIGN Ready!

Efficiency	CO Emissions	NOx Emissions	OGC Emissions	Particles
79 %	0,08 %	93 mg	66 mg	28 mg

Heat output range	Nominal HO	Flue socket	Weight	Firewood	Heating vol.	Heating area
9-17 kW	13 kW	Ø 200 mm	125 kg	55 cm	289 m <sup>3</sup>	116 m <sup>2</sup>



- Double-sided fireplace (two doors) in 3 sizes.
- Firebox in vermiculite with cast iron base.
- **Double Combustion system.**
- External air intake.
- Combustion control single comand.
- **Extra Clean Glass system.**
- Ash pan removable on both sides.
- Frame of 25 mm included.



External	700 x 595 x 510 mm
Firebox	554 x 310 x 310 mm
	Width x Height x Depth



**FLAMME ROUGE**