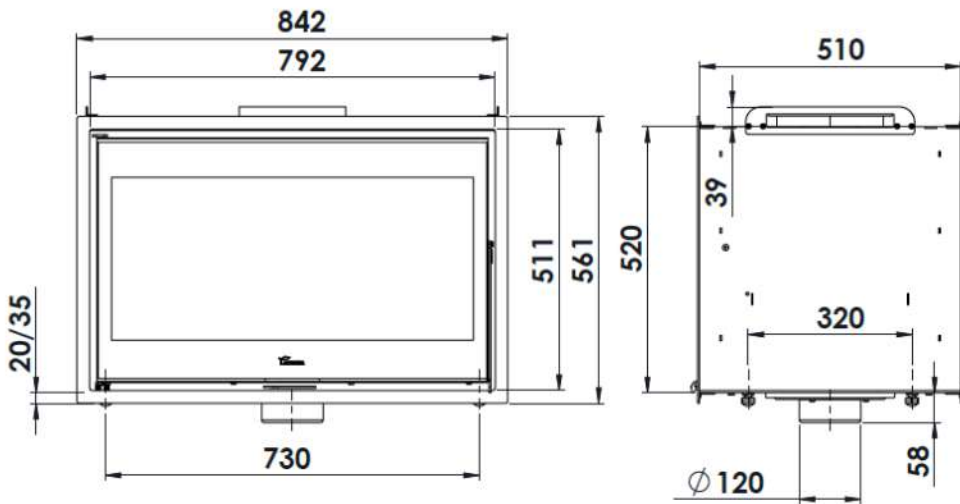


STEEL
Nickel 800

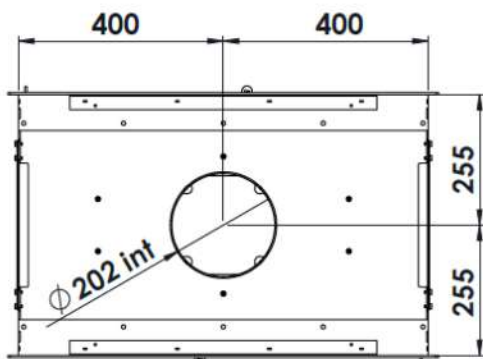


ecoDESIGN Ready!

Efficiency	CO Emissions	NOx Emissions	OGC Emissions	Particles	Heat output range	Nominal HD	Flue socket	Weight	Firewood	Heating vol.	Heating area
79 %	0,08 %	108 mg	66 mg	28 mg	10,5-19,5 kW	15 kW	Ø 200 mm	130 kg	65 cm	333 m ³	133 m ²



- Double-sided fireplace (two doors) in 3 sizes.
- Firebox in vermiculite with cast iron base.
- **Double Combustion system.**
- External air intake.
- Combustion control single comand.
- **Extra Clean Glass system.**
- Ash pan removable on both sides.
- Frame of 25 mm included.



External **800 x 595 x 510 mm**
Firebox **654 x 310 x 310 mm**
Width x Height x Depth



FLAMME ROUGE