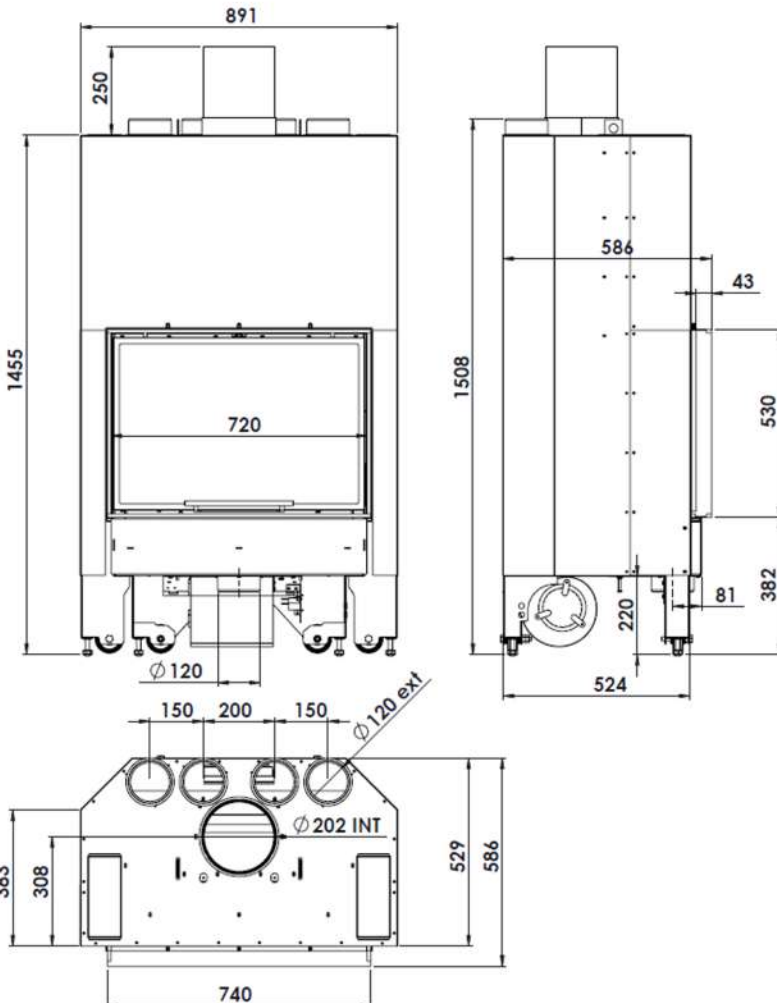


# Itaca 80 ECO



## ecoDESIGN Ready!

Efficiency	CO Emissions	NOx Emissions	OGC Emissions	Particles	Heat output range	Nominal HO	Flue socket	Weight	Firewood	Heating vol.	Heating area
85 %	0,08 %	121 mg	39 mg	20 mg	8,5-15,5 kW	12 kW	Ø 200 mm	255 kg	60 cm	267 m <sup>3</sup>	107 m <sup>2</sup>



- Steel fireplace with guillotine door.
- Firebox in vermiculite or thermotte.
- Firebox base of cast iron with ash pan.
- **Double Combustion system.**
- External air intake.
- Turbine version 800 m<sup>3</sup>/h (C/V).
- 4 top flue exits for hot air.
- ¡New! Potentiometer for more silence turbir
- Frame of 25 mm included.

### OPTIONAL ACCESSORIES:



¡Nuevo! Sistema ELX Power: Potentiometer (5 vel. + On/Off) con mando a distancia



## FLAMME ROUGE