

Sarria 12 Boiler



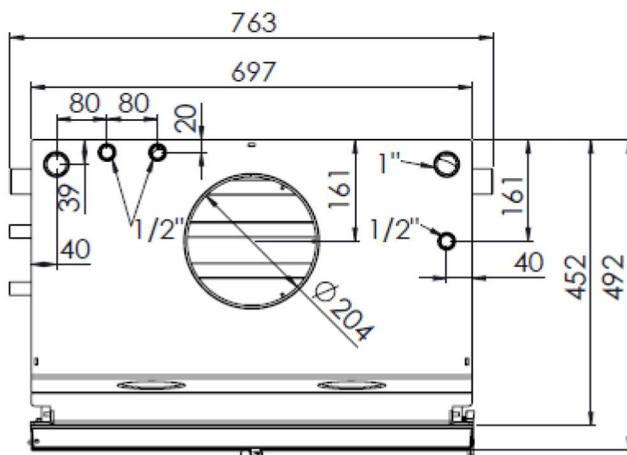
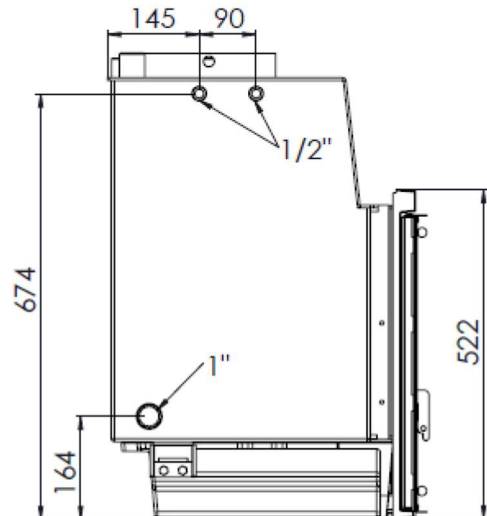
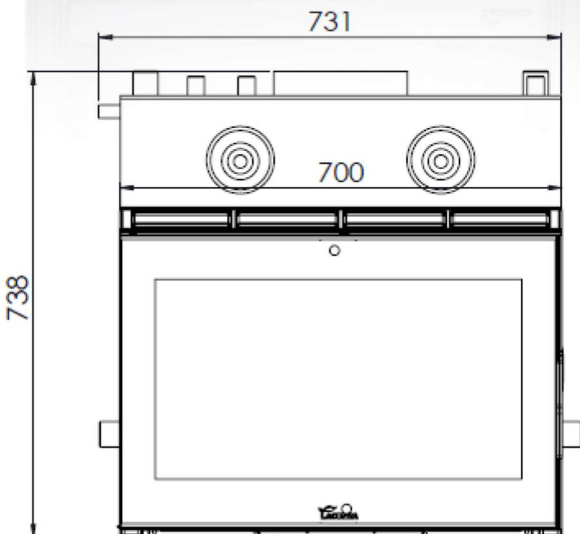
LACUNZA

Natural comfort



TECHNICAL CHARACTERISTICS

NOMINAL HEAT OUTPUT MÁX. 18 kW	EFFICIENCY 80%	 7★	 A+
NOMINAL HEAT OUTPUT CE			2,5 kW
EMISSIONS CO			0,07 %
FLUE SOCKET (mm)			Ø 200
BOILER TANK VOLUME			24 Litros
WEIGHT (emptied)			182 kg
CIRCUIT MAX PRESURE			3 bar
EXTERNAL DIMENSIONS WIDTH X HEIGHT X DEPTH (mm)		700 x 740 x 486	
FIREBOX DIMENSIONS WIDTH X HEIGHT X DEPTH (mm)		568 x 330 x 430	



FLAMME ROUGE