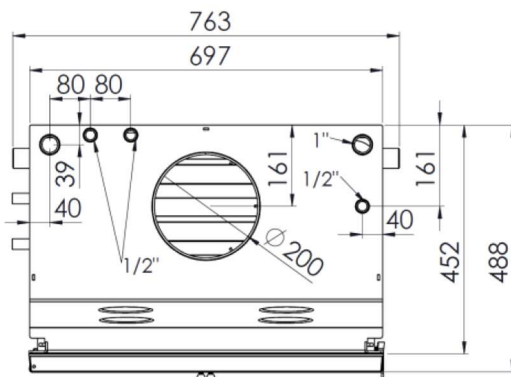
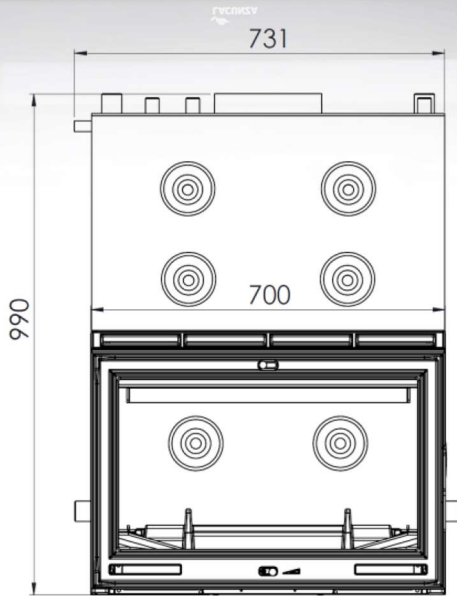


# Sakan 16 Boiler



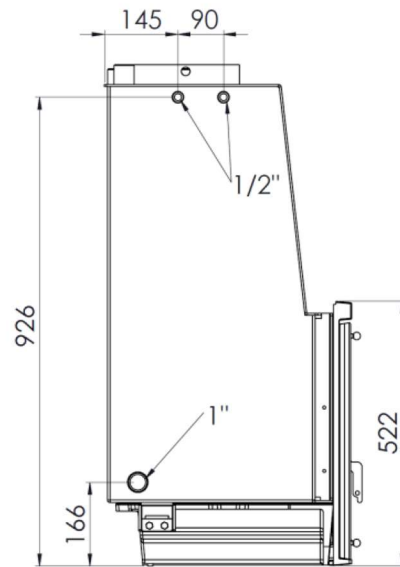
# LACUNZA

Natural comfort



## TECHNICAL CHARACTERISTICS

<b>NOMINAL HEAT OUTPUT MÁX.</b>	<b>EFFICIENCY</b>		
24 kW	80%	4★*	A+
NOMINAL WATER HEAT OUTPUT			16 kW
NOMINAL HEAT OUTPUT CE			3 kW
EMISSIONS CO			0,08 %
FLUE SOCKET (mm)			Ø 200
BOILER TANK VOLUME			34 Litros
WEIGHT (emptied)			215 kg
CIRCUIT MAX PRESURE			3 bar
EXTERNAL DIMENSIONS		700 x 990 x 486 mm	
WIDTH X HEIGHT X DEPTH (mm)			
FIREBOX DIMENSIONS		568 x 330 x 430 mm	
WIDTH X HEIGHT X DEPTH (mm)			



## FLAMME ROUGE