

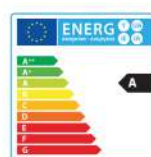
CAST IRON

IN 700



LACUNZA

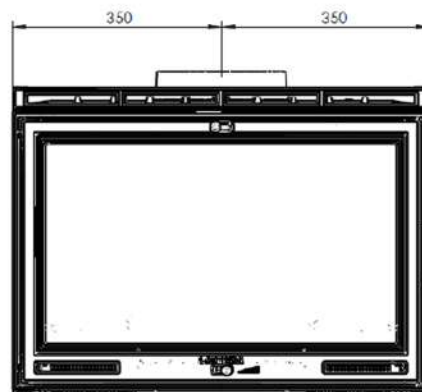
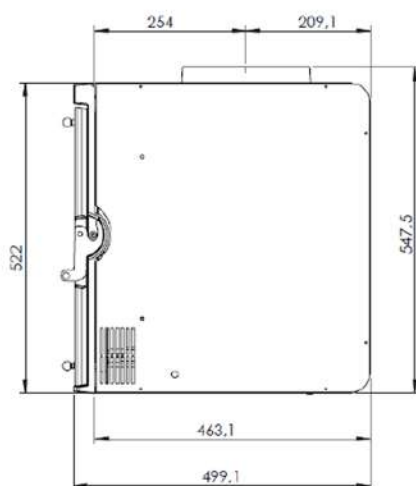
Natural comfort



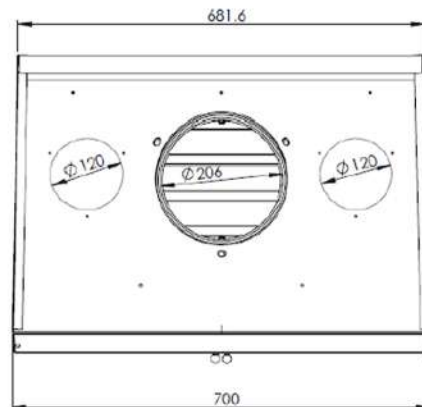
ecoDESIGN Ready!

Efficiency	CO Emissions	NOx Emissions	OGC Emissions	Particles	Heat output range	Nominal HO	Flue socket	Weight	Firewood	Heating vol.	Heating area
75 %	0,10 %	97 mg	67 mg	31 mg	7,5-14,5 kW	11 kW	Ø 200 mm	135 kg	55 cm	244 m ³	98 m ²

- Cast iron insert.
- Extra Clean Glass system.
- Stainless steel baffle.
- Double control for combustion.
- Two axial fans of 75 m³/h each.
- Thermostat and switch with 2 speeds.
- Option: Cooking grill.



External **700 x 522 x 502 mm**
 Firebox **560 x 250 x 400 mm**
 Width x Height x Depth



Cooking grill



FLAMME ROUGE