

Tarbes



LACUNZA

Natural comfort



ecoDESIGN Ready!

Efficiency	CO Emissions	NOx Emissions	OGC Emissions	Particles
78 %	0,03 %	124 mg	20 mg	14 mg



Heat output range
6,5-11,5 kW

Nominal HO
9 kW

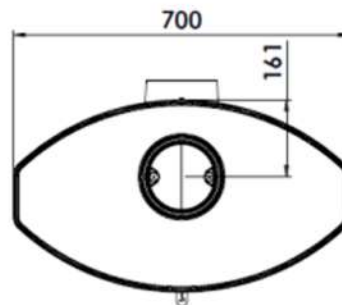
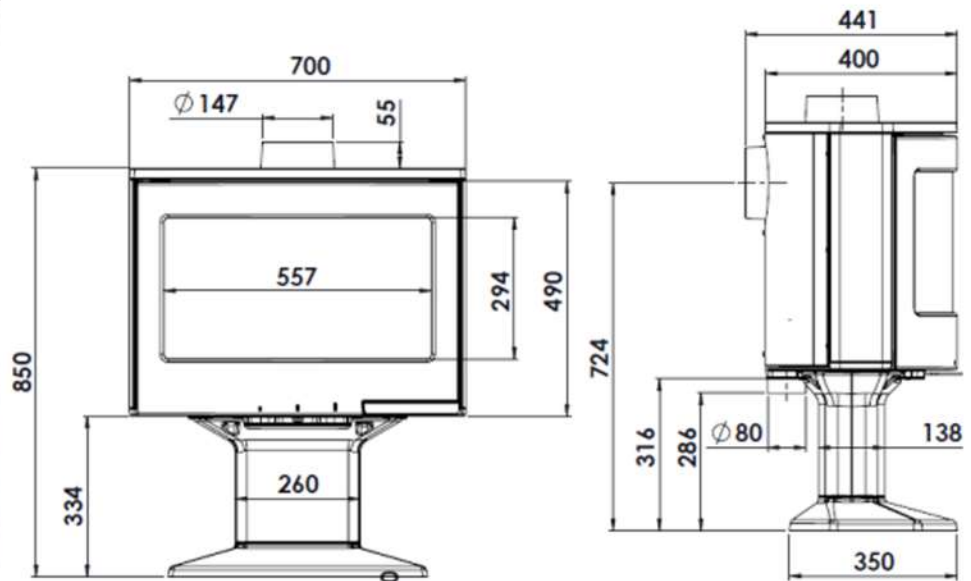
Flue socket
Ø 150 mm

Weight
145 kg

Firewood
50 cm

Heating vol.
200 m³

Heating area
80 m²



- Cast iron wood stove with oval design.
- Firebox in vermiculite and double combustion.
- Very high fire vision.
- External air intake (Ø 80 mm).
- Combustion control single comand.
- Top or rear flue exit.
- Low Consumption Homes certified.
- Options: cast iron firebox kit and glass top.



FLAMME ROUGE