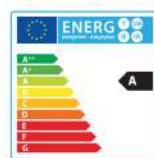
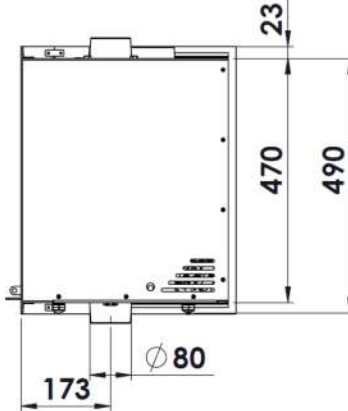
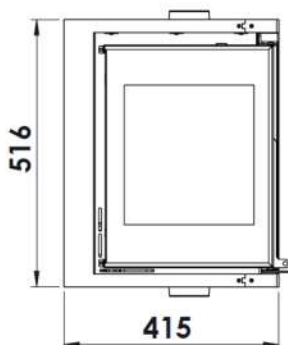
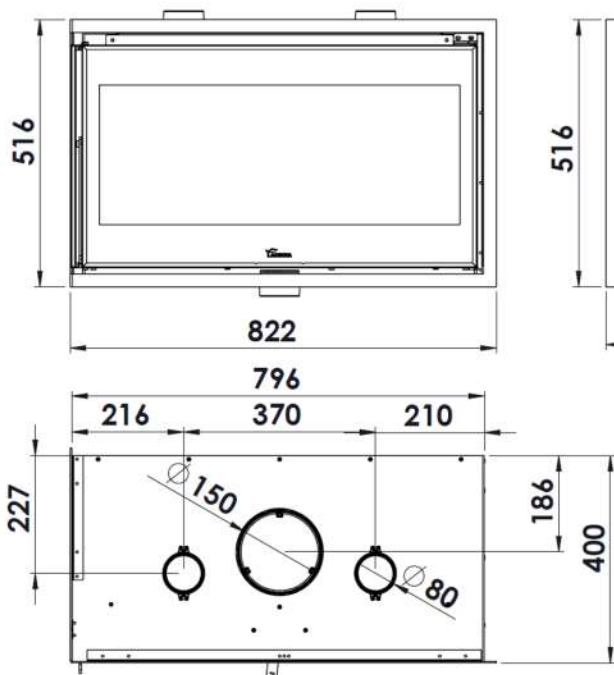


Adour 800 CLID



ecoDESIGN Ready!

Efficiency	CO Emissions	NOx Emissions	OGC Emissions	Particles	Heat output range	Nominal HO	Flue socket	Weight	Firewood	Heating vol.	Heating area
78 %	0,09 %	93 mg	63 mg	20 mg	9-16,5 kW	12,5 kW	Ø 200 mm	135 kg	65 cm	278 m ³	111 m ²



CLID:

External	800 x 490 x 400 mm
Firebox	760 x 235 x 290 mm

Width x Height x Depth

ACCESSORIES INCLUDED:



Potentiometer width on/off

- Side Glass versions of the Adour model.
- Steel insert, firebox in vermiculite.
- **Double Combustion system.**
- Design and position of fan allow for operation of fireplace without electricity.
- Potentiometer (5 speeds + On/Off) with remote control.
- External air intake.
- Frame of 25 mm included.
- Combustion control single comand.



FLAMME ROUGE