

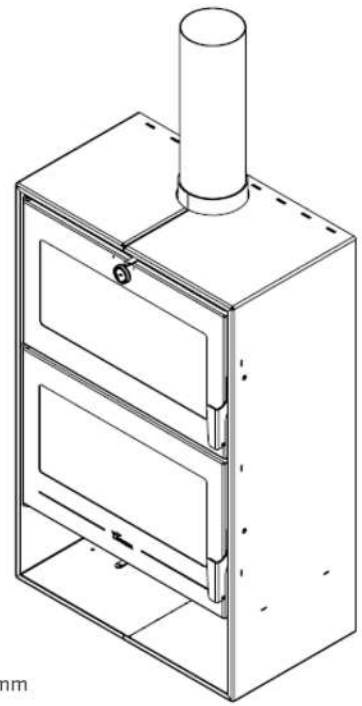
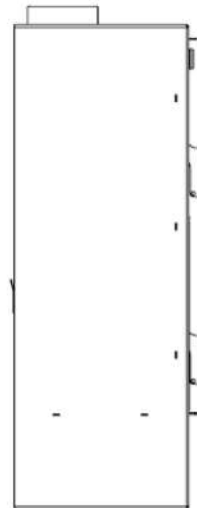
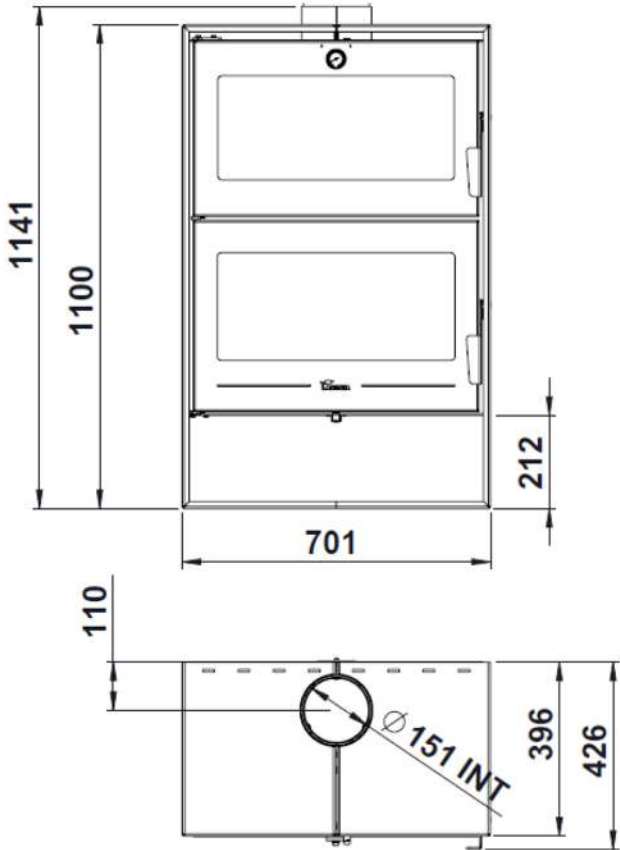
STEEL

Oslo



ecoDESIGN Ready!

Efficiency	CO Emissions	NOx Emissions	OGC Emissions	Particles	Heat output range	Nominal HO	Flue socket	Weight	Firewood	Heating vol.	Heating area
86 %	0,05 %	97 mg	28 mg	21 mg	7,5-13,5 kW	10,5 kW	Ø 150 mm	140 kg	60 cm	200 m ³	80 m ²



External	700 x 1100 x 400 mm
Firebox	630 x 220 x 280 mm
Oven	553 x 253 x 355 mm

Width x Height x Depth

- Steel wood stove.
- Stainless steel oven with refractory base.
- Oven plate and grill.
- Anti-condensation system.
- Firebox firebox in vermiculite.
- Cast iron grate.
- **Double Combustion system with independent control.**
- Two controls for combustion.



FLAMME ROUGE