

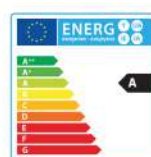
CAST IRON

Levante



LACUNZA

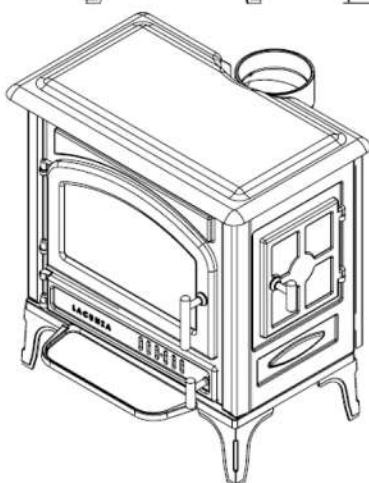
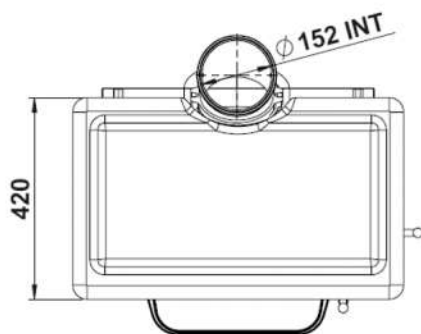
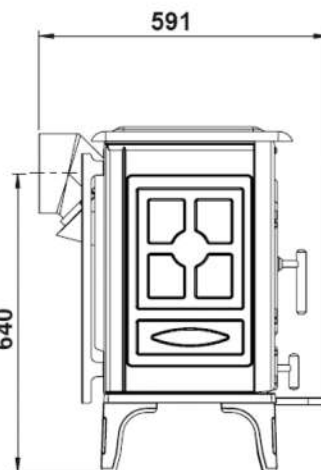
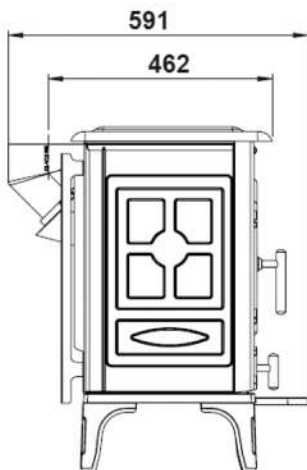
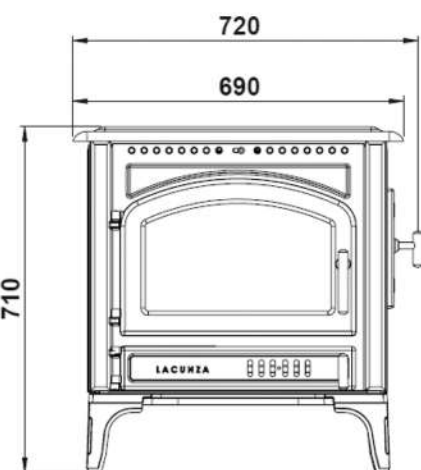
Natural comfort



ecoDESIGN Ready!

Efficiency	CO Emissions	NOx Emissions	OGC Emissions	Particles
77,5 %	0,04 %	154 mg	51 mg	26 mg

Heat output range	Nominal HO	Flue socket	Weight	Firewood	Heating vol.	Heating area
7-13 kW	10 kW	Ø 150 mm	115 kg	50 cm	222 m ³	89 m ²



- Cast iron wood stove.
- Firebox material: Vermiculite.
- Top or rear flue exit.
- Double Combustion system.
- Two controls for combustion.
- Extra Clean Glass system.
- Second side door (longer logs).



FLAMME ROUGE