

WOOD FIREPLACE

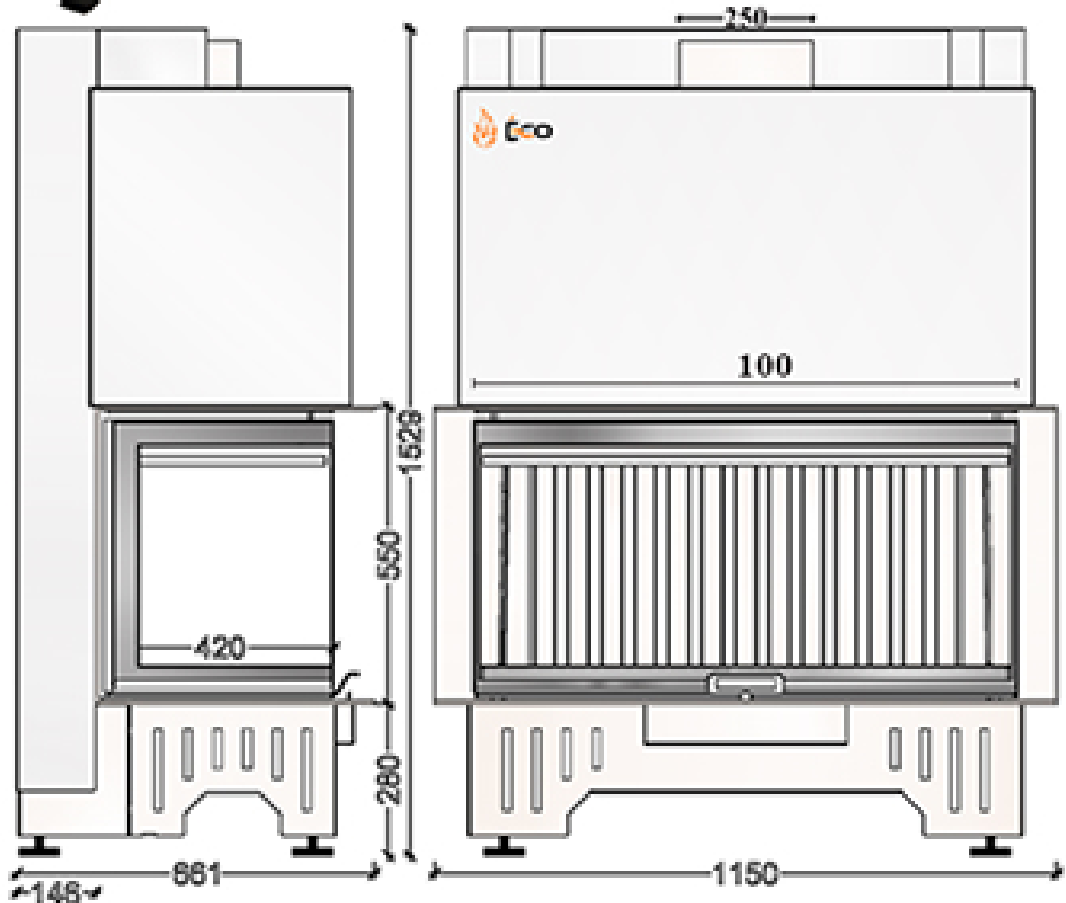
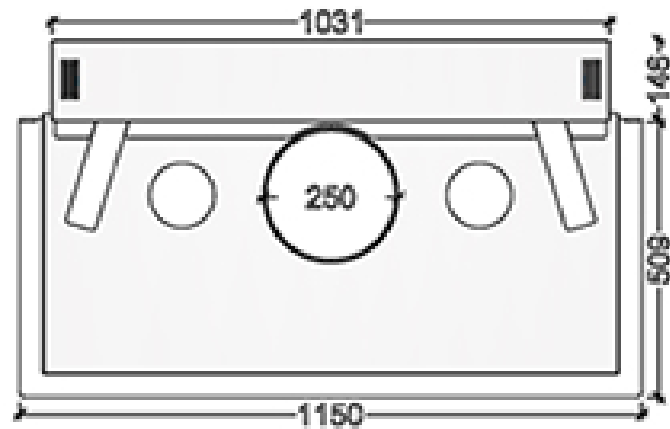
BRUNER 3V-115



TURBO- 


Ø Chimney Diameter 25

CE Certificate NO:9844




395 Kg


14-19 kw


90cm



FLAMME ROUGE

Halat-Highway- Tel:09.4789856 - 03.880633 70.210222  70.250500

www.flammecrouge-lb.com E: info@flammecrouge-lb.com