

GAS FIREPLACE - Frameless



F.F70



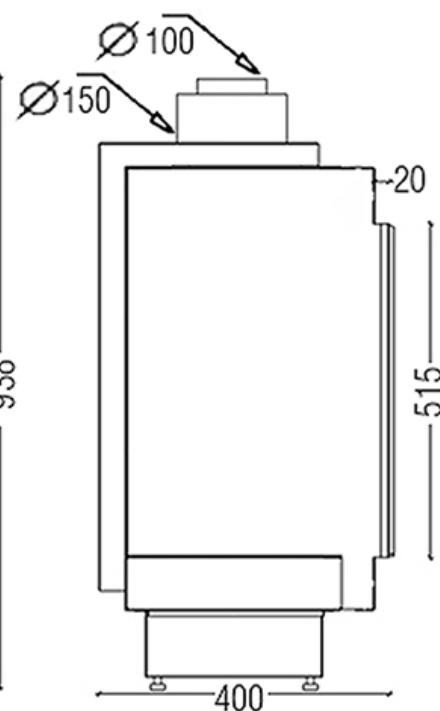
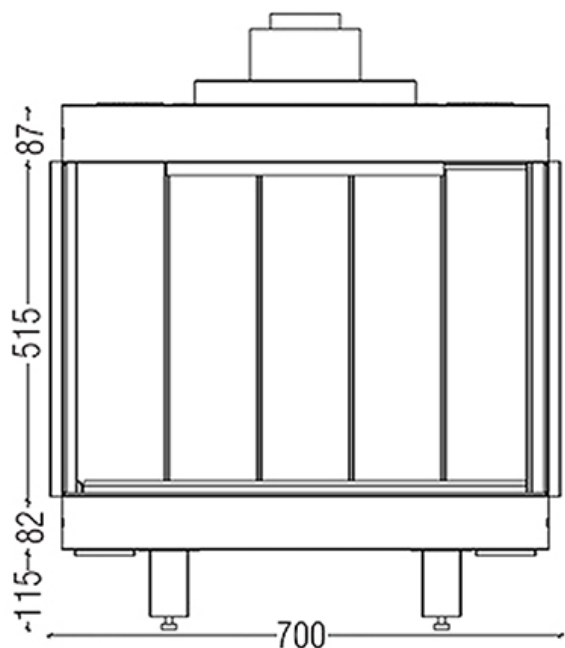
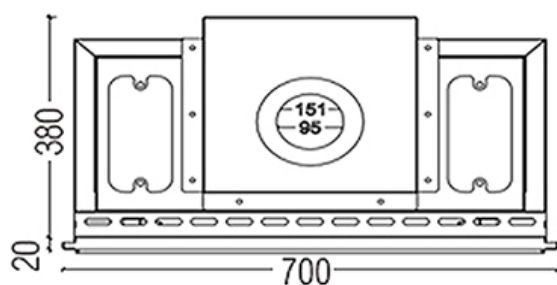
Crystal clear view on fire



Dimensions



MAXITROL



CE Certificate No: CE-9844
Model Number -F70
burner included 63cm

Burner Specifications:

Nominal heat (Hi): 7.47KW

Fuel: Propane Gas

Smoke Gas Exit -10/15cm Ø

Gas system : Maxitrol GV60

Glass - Ceramic (NEO CLEAR)

Halat-Highway

Tel:09.478985/6 - 03.880633 70.210222 70.250500

Louizeh Baabda-Highway

FLAMME ROUGE

www.flammerouge-lb.com E: info@flammerouge-lb.com