


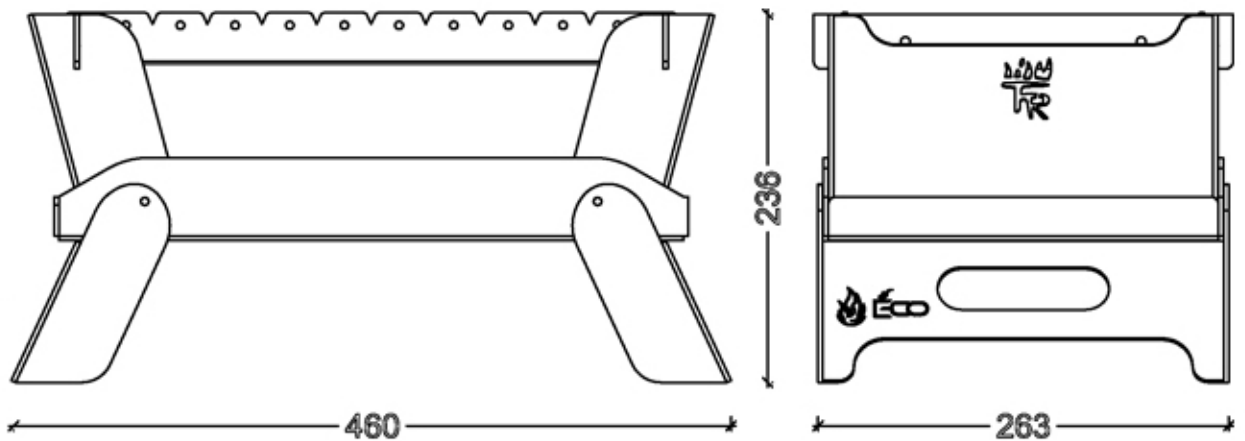
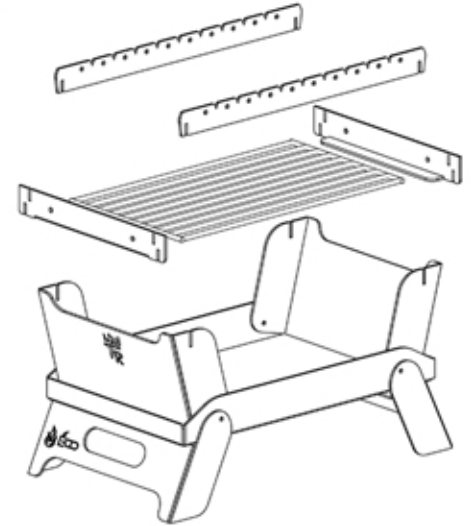
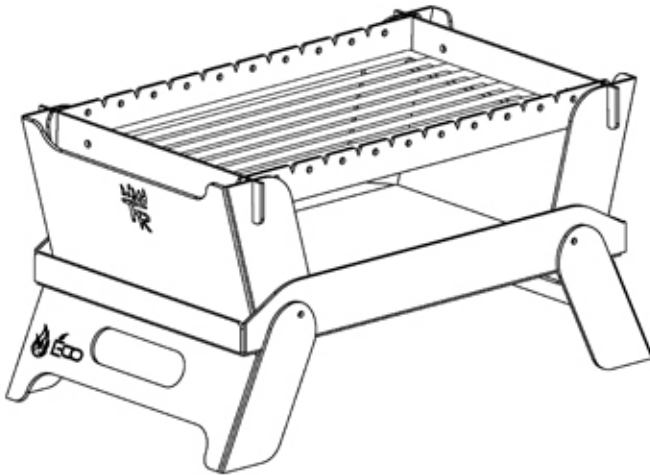


PORTABLE GRILL

FlameBook- 50



	CHARCOAL ✓
	CARBON STEEL 3mm
	8.5 kg



FLAMME ROUGE

Halat Highway Tel: 09.478985 /6



70.250500

www.flammerouge-lb.com E:info@flammerouge-lb.com