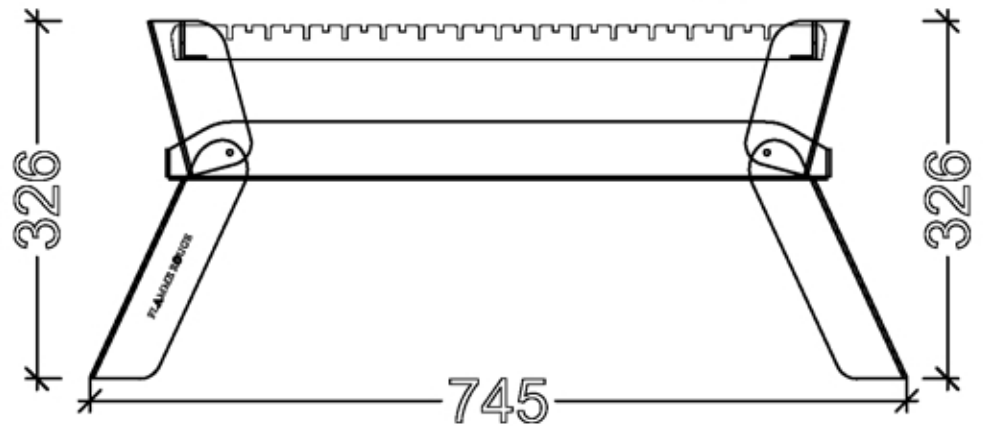
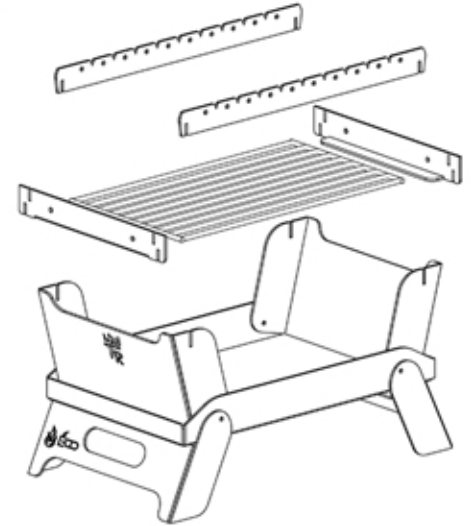
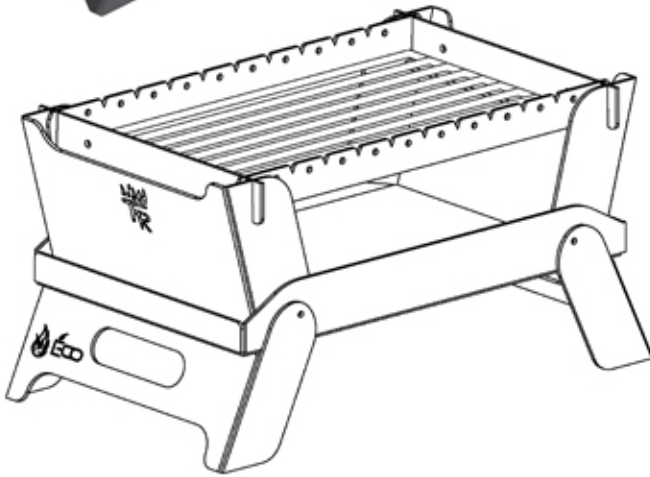


PORTABLE GRILL

FlameBook- 65



	CHARCOAL	✓
	CARBON STEEL	3mm
	15 kg	



FLAMME ROUGE

Halat Highway Tel: 09.478985 /6



70.250500

www.flammerouge-lb.com E:info@flammerouge-lb.com