

Loire 800

LACUNZA 50



ecoDESIGN Ready!

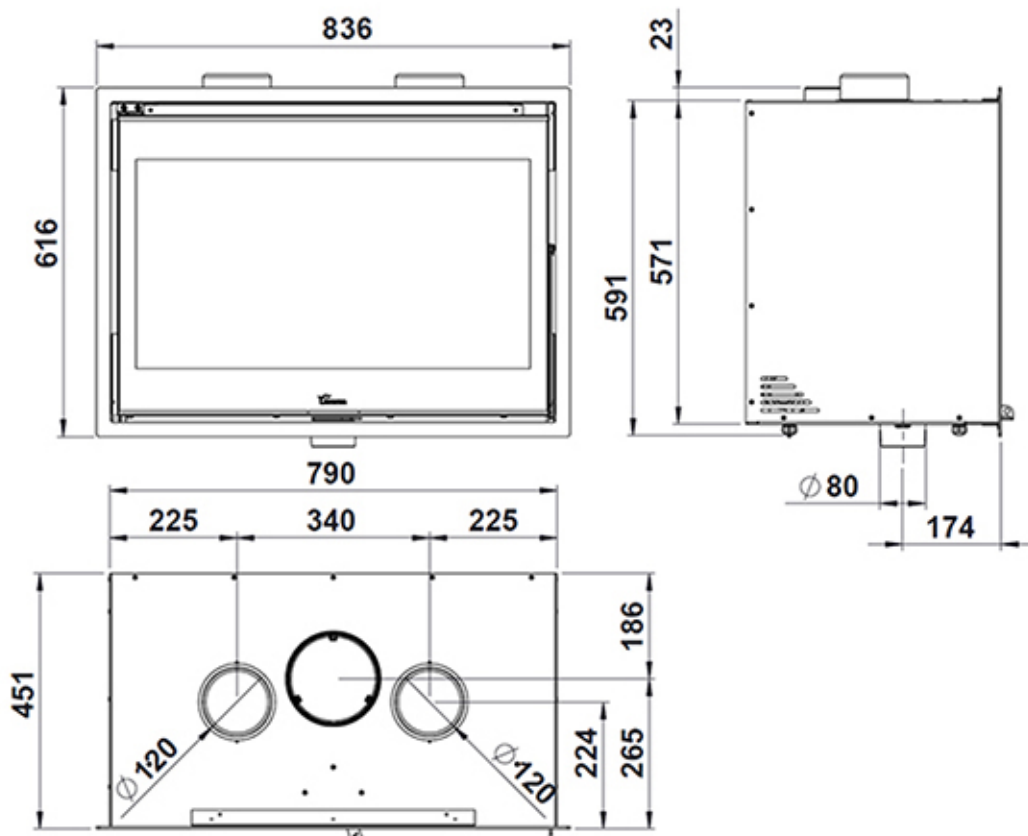
% [*] Efficiency	CO Emissions CO	NOx NOx emissions	OGC OGC emissions	Particles
80,0 %	0,06 %	141 mg	35 mg	25 mg

TECHNICAL DATA

Heat output range 7-13 kW	Nominal heat output 10,0 kW	Efficiency 80,0 %
Emissions CO 0,06 %	Heating volume 244 m ³	Heating area 98 m ²
Weight 100 kg	Flue socket Ø150 mm	Firewood measure 70 cm



Potentiometer. New design and functions with remote control (5 speeds and On/Off)



FLAMME ROUGE

Halat-Highway- Tel:09.478985/6 - 03.880633 70.210222 70.250500

www.flammerouge-lb.com E: info@flammerouge-lb.com