

# Loire

1000



ecoDESIGN Ready!

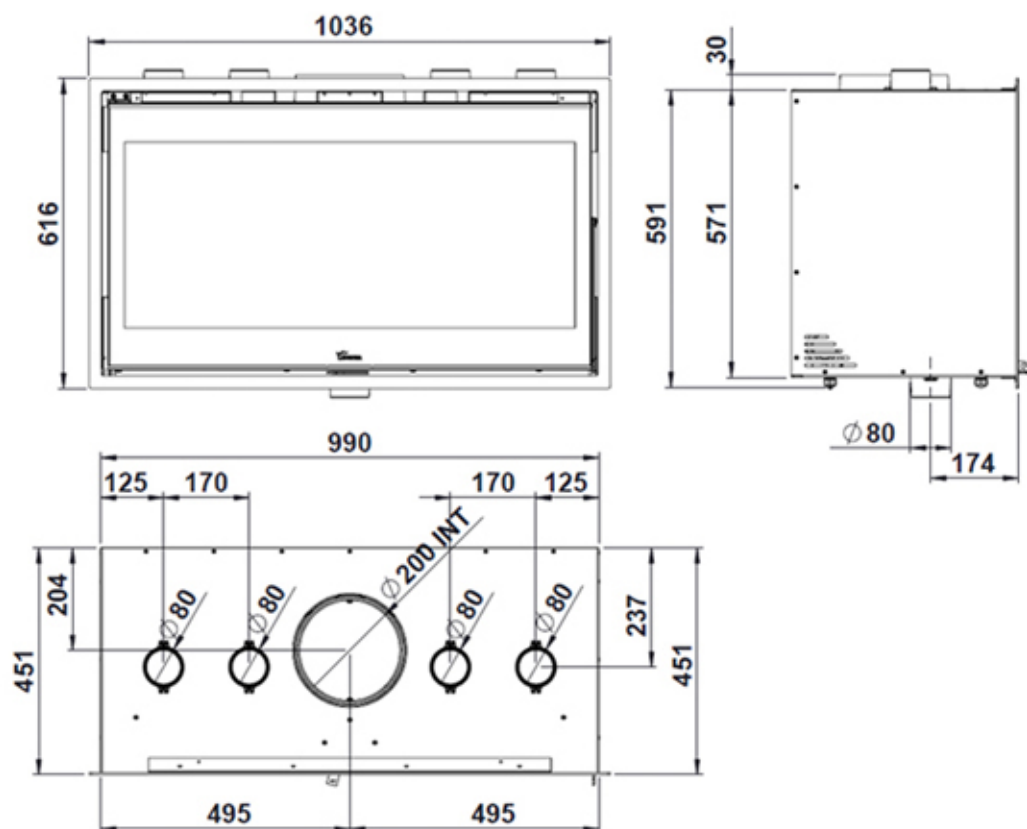
Efficiency	CO Emissions	NOx emissions	OGC emissions	Particles
80,5 %	0,05 %	138 mg	27 mg	24 mg

#### TECHNICAL DATA

Heat output range	Nominal heat output	Efficiency
8-14 kW	11,0 kW	80,5 %
Emissions CO	Heating volume	Heating area
0,05 %	244 m <sup>3</sup>	98 m <sup>2</sup>
Weight	Flue socket	Firewood measure
117 kg	Ø200 mm	90 cm



Potentiometer. New design and functions with remote control (5 speeds and On/Off)



**FLAMME ROUGE**

Halat-Highway- Tel:09.478985/6 - 03.880633 70.210222 70.250500

www.flammerouge-lb.com E: info@flammerouge-lb.com