

### TECHNICAL DATA

	Heat output range 7-12 kW		Nominal heat output 9,5 kW		Efficiency 80,0 %
	Emissions CO 0,09 %		Heating volume 211 m <sup>3</sup>		Heating area 84 m <sup>2</sup>
	Weight 113 kg		Flue socket Ø150 mm		Firewood measure 60 cm

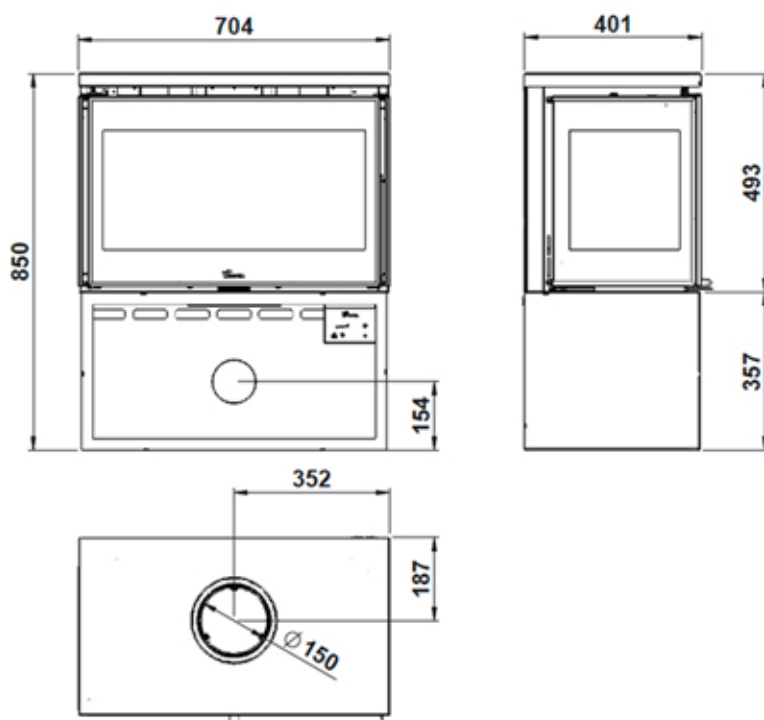


Potentiometer. New design and 5 functions with remote control (5 speeds and On/Off)

## Paris 700 CLID

**ecodesign Ready!**

	Efficiency 80,0 %		Emissions CO 0,09 %		NOx emissions 112 mg		OGC emissions 65 mg		Particles 27 mg
--	----------------------	--	------------------------	--	-------------------------	--	------------------------	--	--------------------



**FLAMME ROUGE**

Halat-Highway- Tel:09.478985/6 - 03.880633 70.210222 70.250500

www.flammerouge-lb.com E: info@flammerouge-lb.com