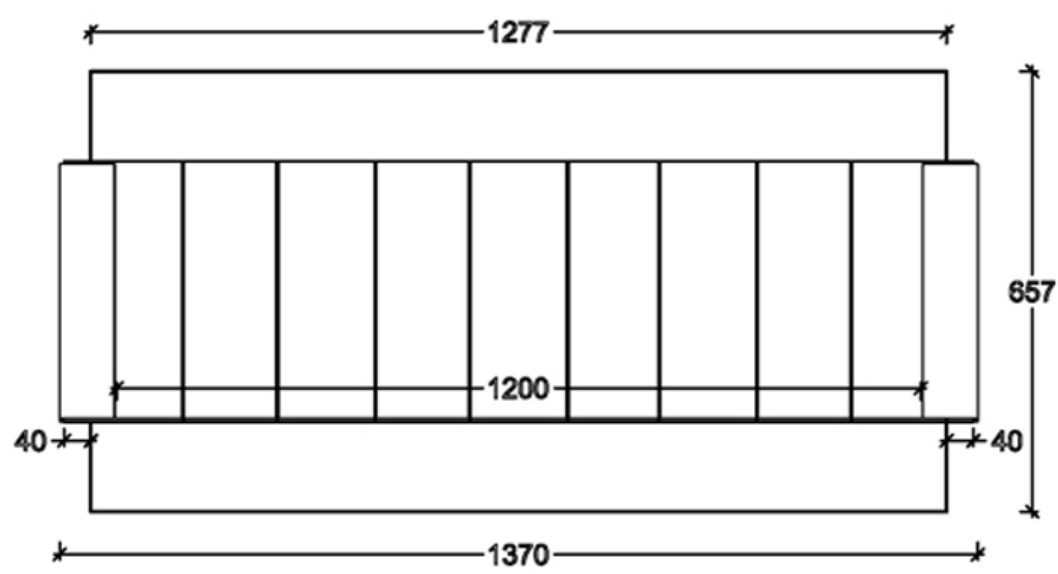
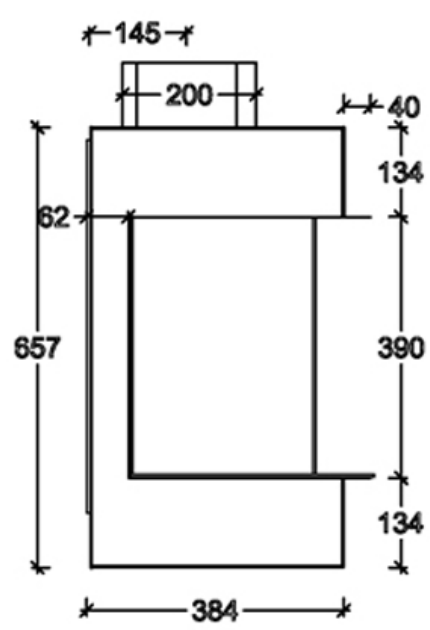
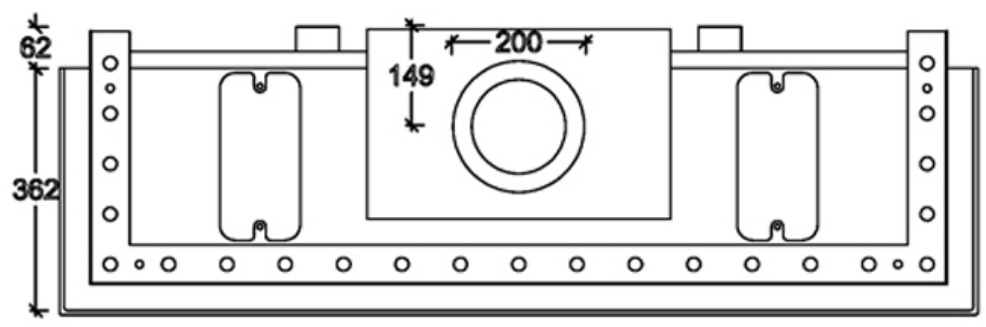




Dimensions

CE Certificate No: CE-9844
Model Number -3V120
burner included 112cm

Burner Specifications:
Nominal heat (Hi): 9.5 KW
Fuel: Propane Gas
Smoke Gas Exit -15/20 cm Ø
Gas system : Maxitrol GV60
Glass - Ceramic (**NEO CLEAR**)



📍 Halat-Highway Tel:09.478985/6 - 03.880633 70.210222 📞70.250500
📍 Louizeh Baabda-Highway